



Applications and Key Benefits

- + OPzS cells - 100Ah to 3.500Ah nominal capacity ideal for:
 - IT and Telecom network operations
 - Power plants and power distribution
 - Emergency lighting and Security
 - Automation & Industrial backup power
 - Railway, Airport & Seaport signaling
 - Other applications in areas with unreliable power supply
- + Tubular positive plates
- + Dimensions according to DIN 40736 OPzS cells, compatible with existing installations
- + Outstanding cycling performance
- + Suitable for use at elevated temperature and reliable operation in difficult conditions
- + Optimized for deep discharge recovery DIN 43539T5
- + 20 years design life under float voltage condition
- + Also available in dry charged version
- + 100% Recyclable

Applicable Standards

- DIN 40736 - specification OPzS cells
- DIN 43539T5 - deep discharge
- DIN 40740 - electrolyte level indicator
- IEC 60896 Part 11 - vented types requirements & tests

FIAMM Manufacturing

- ISO 9001 Quality Management System
- ISO 14001 Environmental Management System

Technical Features

- Tubular positive plates with special low antimony lead alloy reduces loss of water (3-year topping-up intervals on float condition)
- Capacities exceed DIN nominal values
- Electrolyte: high purity sulphuric acid solution with 1,24 specific gravity at 20°C
- Pasted negative grid plates designed to have service lives consistent with the positive plates
- Separators with extremely high porosity and low internal resistance
- Container in acid resistant SAN, designed for unsurpassed mechanical strength
- Lid in standard ABS
- Threaded female M10 terminal posts guarantee highest conductivity, maximum torque retention and easy installation
- High integrity post seal design to prevent electrolyte leakage and terminal corrosion
- Ceramic plugs filter electrolyte from escaping gasses
- Flame arrestors prevent sparks or flames from entering the battery
- < 3% self-discharge per month at 20°C allows 6 months shelf life
- Installation in vertical position
- Flexible, fully insulated cable connectors with insulated screw with probe hole on the top for electrical measurement



ENDURLITE

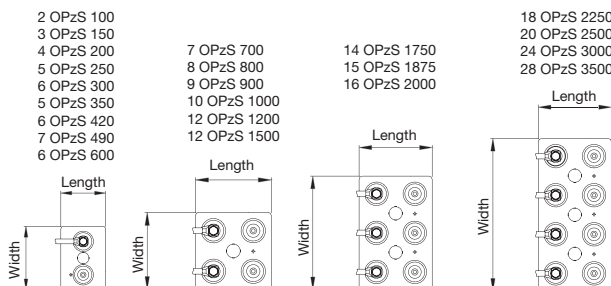
LM OPzS

FIAMM LM OPzS range

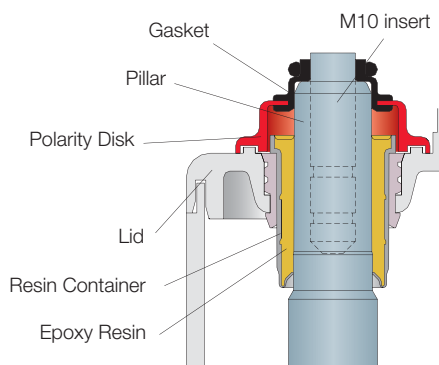
DIN 40736 STANDARD		CELL TYPE	CAPACITY (Ah) at 20°C 10 hrs to 1.80 VPC	SHORT CIRCUIT CURRENT (A)	INTERNAL RESISTANCE (mohm)	WEIGHT (kg) with electrolyte	ELECTROLYTE (Litres)	DIMENSIONS (mm)			TERMINALS +/-
Type	Nominal Capacity 20°C 10 hrs 1.80 VPC							Length	Width	Height	
2 OPzS 100	100	LM 100	108	1250	1.824	13.9	4.2	103	206	420	1/1
3 OPzS 150	150	LM 150	162	1875	1.216	16.1	3.8	103	206	420	1/1
4 OPzS 200	200	LM 200	216	2380	0.840	17.4	3.6	103	206	420	1/1
5 OPzS 250	250	LM 250	270	2700	0.730	21.4	4.7	124	206	420	1/1
6 OPzS 300	300	LM 300	324	3240	0.608	24.8	5.4	145	206	420	1/1
5 OPzS 350	350	LM 350	390	3150	0.628	28.4	6.3	124	206	536	1/1
6 OPzS 420	420	LM 420	468	3780	0.524	32.7	7.2	145	206	536	1/1
7 OPzS 490	490	LM 490	546	4410	0.449	37.6	8.3	166	206	536	1/1
6 OPzS 600	600	LM 600	630	4560	0.447	46.5	12.2	145	206	711	1/1
7 OPzS 700	700	LM 700	735	5320	0.383	58.8	15	210	191	711	2/2
8 OPzS 800	800	LM 800	840	6100	0.335	62.2	12.9	210	191	711	2/2
9 OPzS 900	900	LM 900	945	6840	0.298	71.5	22	210	233	711	2/2
10 OPzS 1000	1000	LM 1000	1050	7600	0.268	74.9	17.7	210	233	711	2/2
12 OPzS 1200	1200	LM 1200	1260	9120	0.223	89.2	22.1	210	275	711	2/2
12 OPzS 1500	1500	LM 1500	1570	10200	0.200	114	26.7	210	275	861	2/2
14 OPzS 1750	1750	LM 1750	1840	11900	0.171	147	35.5	214	399	837	3/3
15 OPzS 1875	1875	LM 1875	1970	12750	0.160	150	34	214	399	837	3/3
16 OPzS 2000	2000	LM 2000	2100	13600	0.150	155	38.3	214	399	837	3/3
18 OPzS 2250	2250	LM 2250	2360	15300	0.133	181	43.6	212	487	837	4/4
20 OPzS 2500	2500	LM 2500	2620	17000	0.120	190	40.4	212	487	837	4/4
24 OPzS 3000	3000	LM 3000	3150	20400	0.100	222	52.6	212	576	837	4/4
28 OPzS 3500	3500	LM 3500	3500	23800	0.086	248	55.2	212	576	837	4/4

Electrical Characteristics

- + NOMINAL VOLTAGE: 2 V
- + FLOAT VOLTAGE AT 20°C: 2.23 V/cell
- + BOOST RECHARGE: 2.4 V/cell



High Reliability Post Seal



FIAMM reserves the right to change or revise without notice any information or detail given in this publication LM_EMEA_2011_04_12

FIAMM S.p.A.
Industrial Batteries

dealer:
SINPEC UPS di Pecoraro Lino
 Registered Office: Via G. Deledda, 11/7
 33082 AZZANO DECIMO (PN) IT
 Commercial Office and Branch: Via Villafranca,60
 33083 TAIEDO DI CHIONS (PN) IT
 P.IVA: IT 01752340933 R.E.A.101809
 mail: info@sinpec.eu tel. +39 0434 1696583



Industrial Batteries